

Renault

Laguna 2.0 IDE (2001-2005) | F5R Engine

**NEW
PRODUCT**



Description

Specifically designed for Renault Laguna 2.0 IDE (2001-2005) with F5R Engine.

Includes

Camshaft Setting Bar | Camshaft Timing Pin

Packaging

Sliding Blister

Section Within Catalogue

Renault

Page Number in Catalogue

70

**TIMING TOOLS CATALOGUE
08/09**

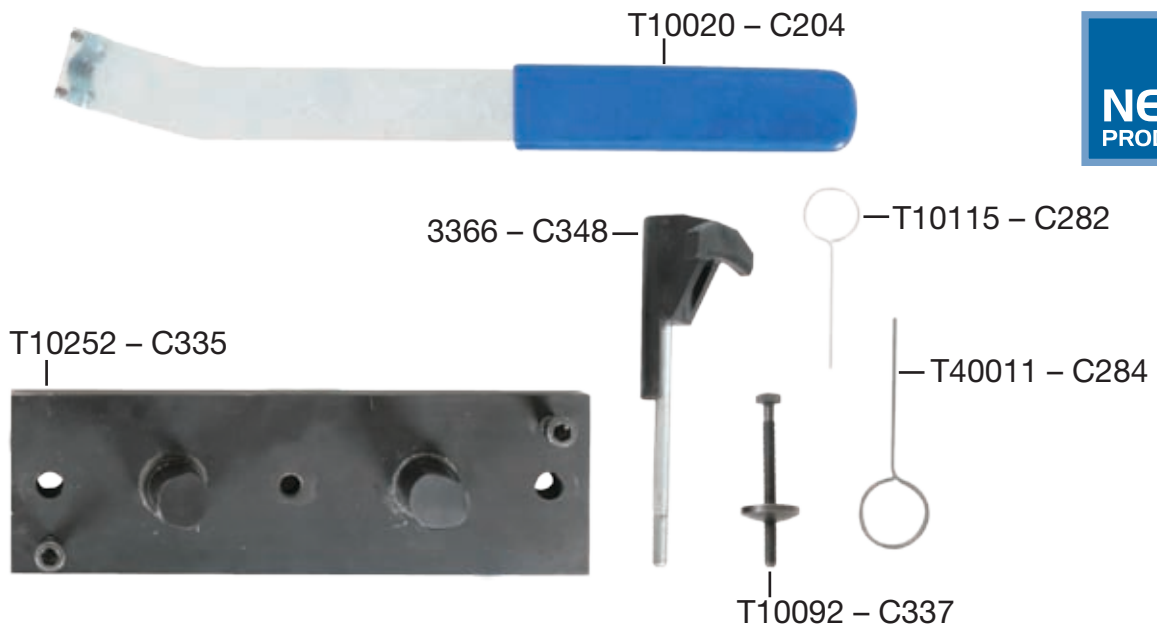
CODE	DESCRIPTION	OEM CODE
C326	Camshaft Setting Bar	MOT 1526
C099	TDC Timing Pin	MOT 861 MOT 1054

13 October 2008



Timing Tool

Audi FSi 2.0 Litre | Turbo



Description

Two pin wrench (T10252) and Camshaft locking pin (T10115) with special bolt and nut 5 x .8 x55mm (T10092) Camshaft clamp (T10252) Camshaft Adjuster (T20018/3366) and Cam belt tensioner locking pin.

Packaging

Tray

Section Within Catalogue

Timing Tools

Page Number in Catalogue

00

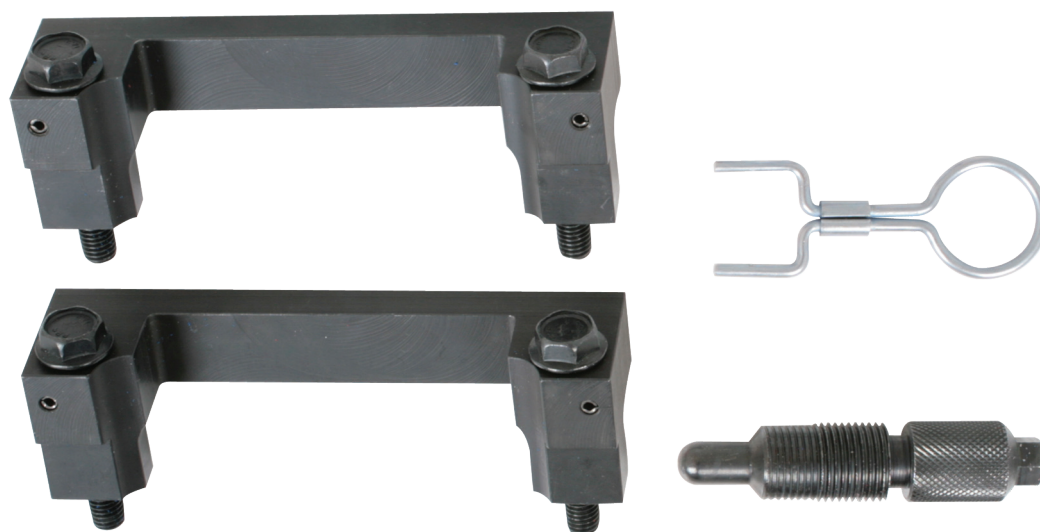
Additional Information

16 September 2008



Timing Tool Kit

Audi A4 | A6 | A8 2.4 | 3.2 FSI Chain Engines



NEW
PRODUCT

Description

A Timing tool kit for the latest Audi fitted with FSI chain driven engine. Kit includes Camshaft Locking Tool (2) OEM Ref T40070, Crankshaft Locking Pin OEM Ref T40069 and Timing Chain tensioner locking pin OEM T40071

Packaging

Tray

Section Within Catalogue

Timing Tools

Page Number in Catalogue

15



24 September 2008

5 018341 045562 >



4576

LASER[®]

Engine Timing Tool Set

Audi | A4 | A6 3.0 V6 engines

NEW
PRODUCT



Applications

Application: A4/A6 3.0 V6

Crankshaft Locking Tool	OEM T40026
Camshaft Locking Tools (2)	OEM T40030
Camshaft Sprocket adjusting tool	OEM T40028
Tensioner Locking Pin	OEM T40011

Typical Retail Price

24 September 2008



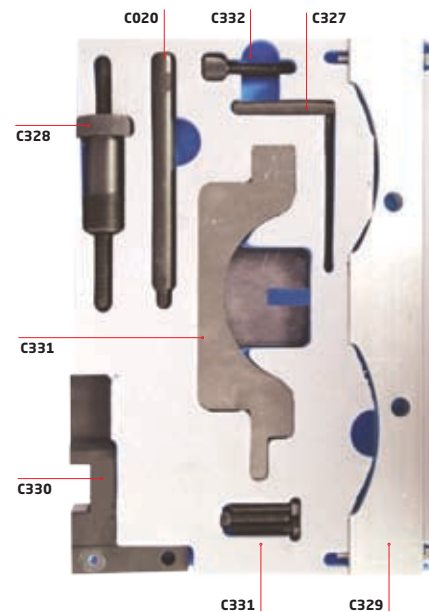
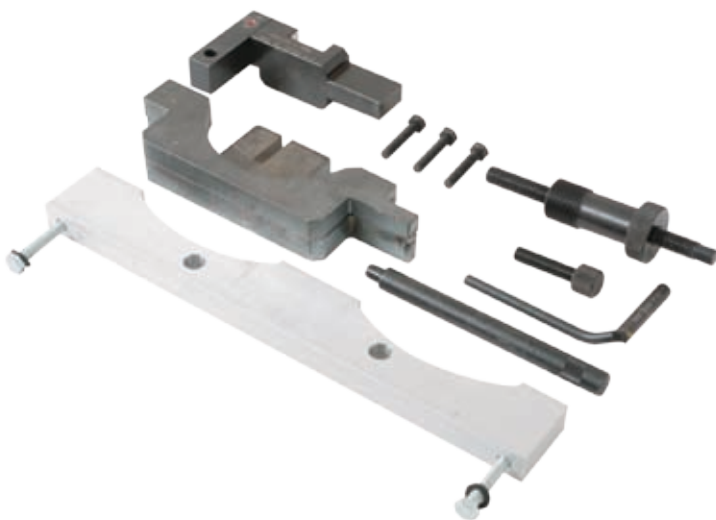
T TOOL
CONNECTION

Distributed by The Tool Connection Ltd.
Kineton Road | Southam | Warwickshire | CV47 0DR
T | +44 (0) 1926 815 000 F | +44 (0) 1926 815 888
E | info@toolconnection.co.uk www.toolconnection.co.uk

LASER®

Timing Tool

BMW 1.8 | 2.0 Litre Chain Engines



**NEW
PRODUCT**

Description

Exhaust camshaft alignment tool (11 9 291/3) Inlet camshaft alignment tool (11 9 292) | flywheel timing pin (11 5 120) sensor gear alignment tool (11 9 350) | timing chain pre-tensioning tool (11.9.340) thumbscrew M8 x 1.25 x 20 (11 9 293) for 118i/120i (E87) | 318i/320i (E90) and Z4 2.0 (E85) also 316i/316ti Compact (E46) and 318i/318ti Compact (E46) with flywheel timing pin (11 9 190) with N42 and N46 engines.

Packaging

Tray

Section Within Catalogue

Page Number in Catalogue

Additional Information

16 September 2008

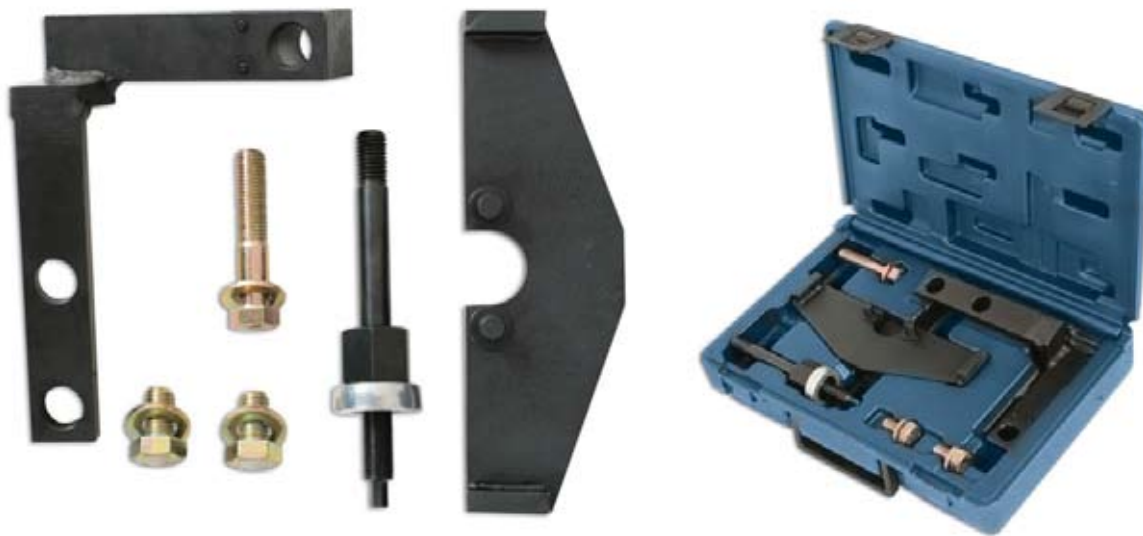


5 018341 044190 >

LASER[®]

Timing Tool

BMW Mini One | Cooper | Cooper S



NEW
PRODUCT

Description

Engine Timing Tool Kit for:
 BMW Mini One 2001-06 (Engine code W10B16AA)
 Mini Cooper 2001-06 (Engine code W10B16BA)
 Mini Cooper S 2002-06 (Engine code W11B16AA).

Set includes:
 Camshaft Sprocket Holding Tool (OEM 11 8 250)
 Engine Support Bracket (OEM 11 8 370)
 Tensioner Assembly Tool (OEM 11 8 240)

Packaging

Blow Mould Case

Section Within Catalogue

Timing Tools

Page Number in Catalogue

NEW

Additional Information

15 September 2008



Timing Tool

Ford Focus Cmax | 1.6 Ti-VCT



NEW
PRODUCT

Description

This five piece set is essential for replacing the Cam belt on Ford Focus/Cmax 1.6 Ti-VCT with engine code HXDA (2003-2007) plus 2.0 TDCi with engine codes G6DA | G6DB G6DC 2003-2007.

Component	Description	OEM Code	Engine Code
C350 T	ensioner pulley locking pin	303-1054 H	XDA
C349 C	amshaft Sprocket Locking tool	303-1097 H	XDA
C101*	Camshaft/Crankshaft Timing Pin	303-735	G6DA, G6DB, G6DC
C311 C	rankshaft Locking Pin 3	03-748 H	XDA
C351*	Flywheel Timing Pin	303-1059 G	6DA, G6DB, G6DC

*Available separately Part No 4517

Also required Flywheel Locking Tool and adaptors (OEM 303-393/303-393-02) Laser Part No 4275.

Packaging

Blow Mould Case

Section Within Catalogue

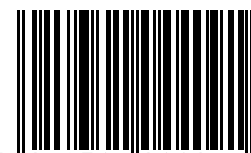
Timing Tools

Page Number in Catalogue

NEW

Additional Information

15 September 2008



5 018341 044091 >